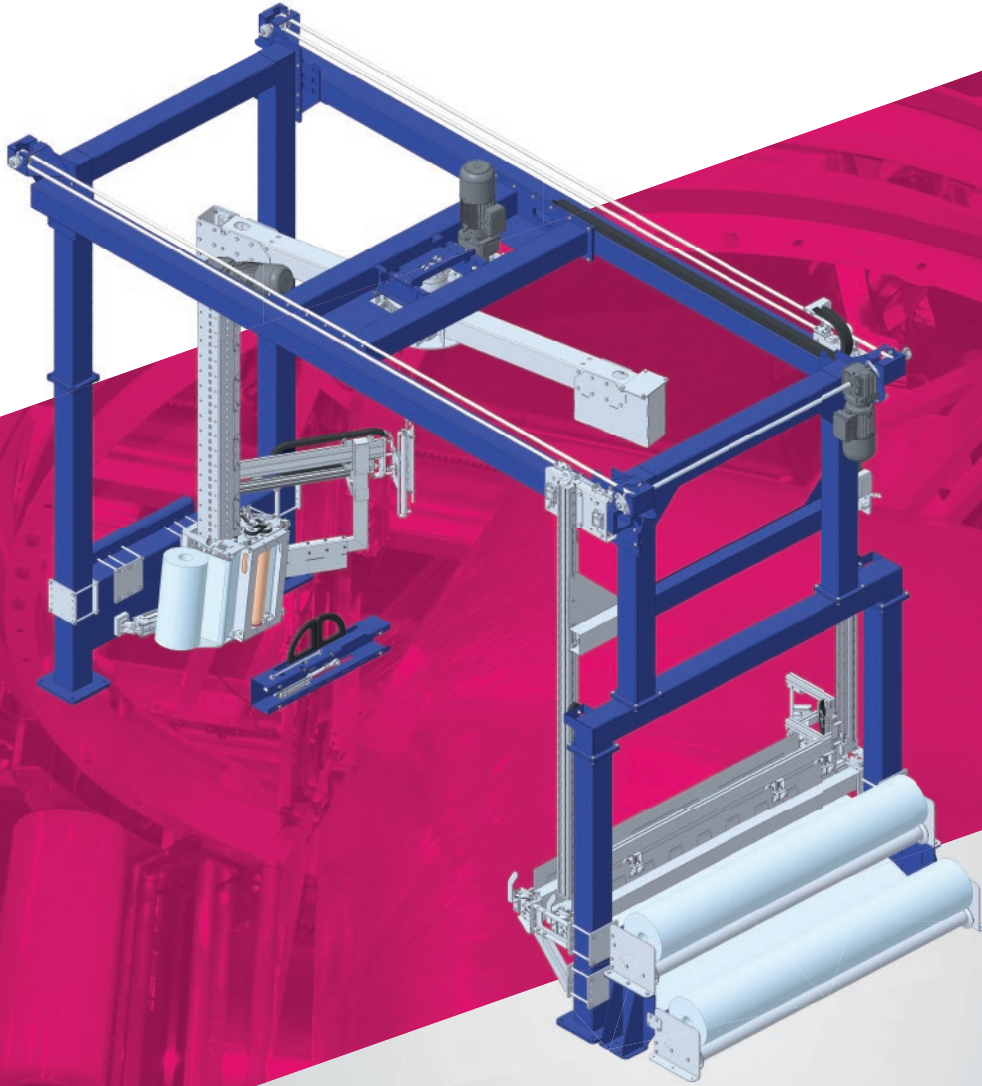




WRAPPING



MOD.
**AV1800
PREMIUM**

- HIGH PERFORMANCE
- STABLE LOADS
- LOWER ENERGY & FILM CONSUMPTION
- PATENTED SYSTEM TO SECURE THE FILM
- HIGH RELIABILITY & LITTLE MAINTENANCE

 **Applications**

-  Paper
-  Cardboards
-  Ceramic
-  Plastic/Cans
-  Bags

AV1800 PREMIUM

The rotating arm wrapping machine AV1800 is designed for applications with high production rates and allows the wrapping of unstable or light loads. The variable arm rotation (up to 32rpm) and film-carrier traverse speeds driven by belts allow the amount of film overlap on the pack to be adjusted to suit the wrapping needs. The film-carrier incorporates a powered film pre-stretching unit up to 300% ratio. The results are a largely increased reliability and reduced maintenance as

well as stable loads with minimal film consumption.

The AV1800 Premium model can be equipped (optionally) with the Top Sheet device which allows you to automatically obtain an integral wrapping on the five sides of the pack, ensuring excellent protection from water, dust and atmospheric agents. At the end of the cycle, the film is held in a gripper assembly. Then film is cutted and welded (with a hot pad) using a special arm device.

Technical data

Power supply

Voltage	400V 3Phases (50Hz)
Installed power	~ 7,0 kW

Air supply

Pressure	5,5 ÷ 6,5 bar
Consumption	~ 24 NL/cycle

Film coil size

Width	500 mm
Max external diameter	250 mm
Max weight	~ 20 kg

Production

Capacity	Up to 70 packs/h (no top sheet)
----------	---------------------------------

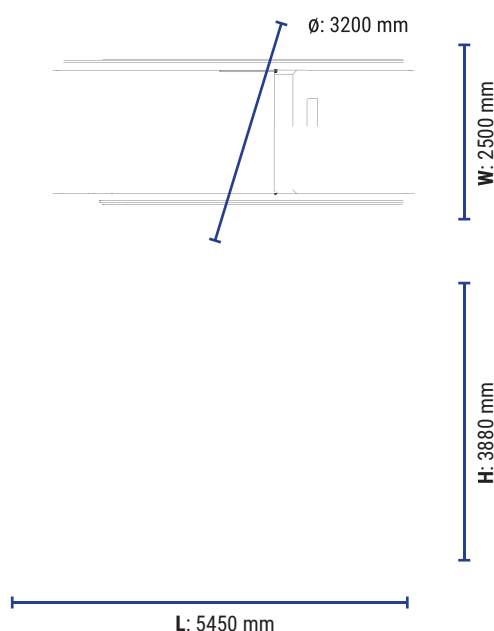
Pack size (standard machine)

Long side Min./Max.	500 / 1600 mm
Short side Min./Max.	410 / 1200 mm
Height Min./Max.	500 / up to 1600 mm

Transport

Minimum height	250 mm
----------------	--------

Machine dimensions



Options:

- > Top sheet device
- > Motorized or Pneumatic top press, stabilizer
- > Roping device



Officina Meccanica Sestese S.p.A.

Via Borgomanero, 44 - 28040 Paruzzaro (NO)

Tel. +39 0322 541411 Fax +39 0322 53157

www.omsspa.com

info@omsspa.com

As a part of our policy of continuous improvement, we reserve the right to alter design and specifications without prior notice. This brochure is for descriptive purpose only. Some of the items pictured in this brochure are optional and not standard equipment.